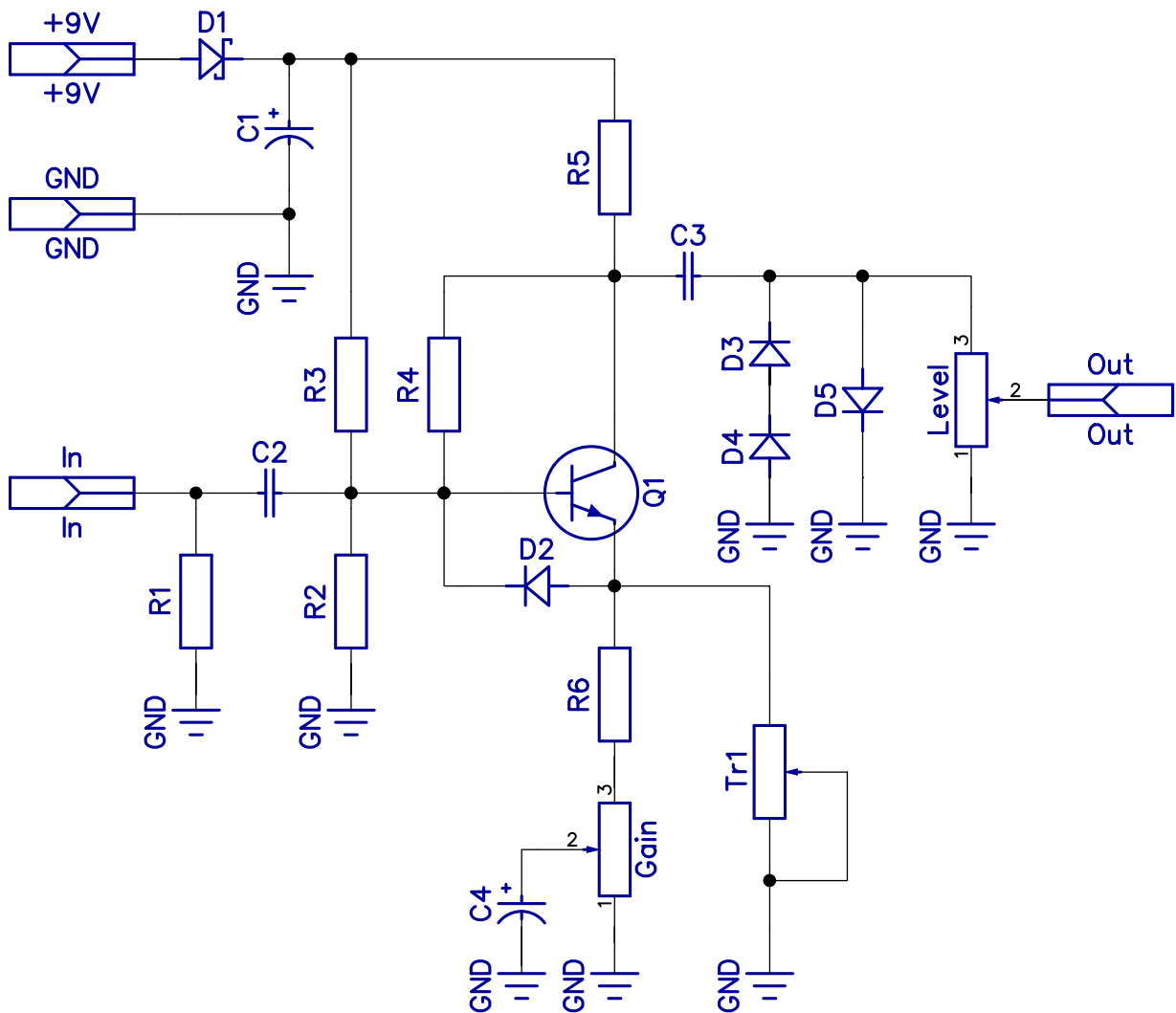




MultiBooster

MultiBooster is an original drdFX design to accommodate several boosters on one PCB. The boosters that you can build on this PCB are: Electro Harmonix LPB1, Earthquaker Devices Speaker Cranker, Earthquaker Devices Black Eye and Zvex Super Hard On. With some modifications it can be converted to a distortion unit too (see Electra Distortion).

SCHEMATIC

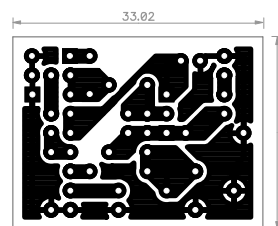
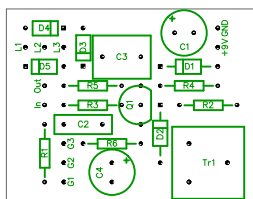


BOM

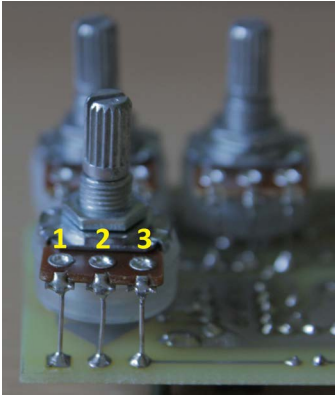
Resistors					Capacitors				
	LPB1	Speaker Cranker	Black Eye	SH0		LPB1	Speaker Cranker	Black Eye	SH0
R1	1M	1M	2.2M	1M	C1	100u	100u	100u	100u
R2	100k	n/a	10M	10M	C2	100n	100n	100n	100n
R3	1M	n/a	n/a	n/a	C3	100n	68n	10u	10u
R4	n/a	2.2M	10M	10M	C4	n/a	100u	n/a	link
R5	10k	10k	10k	10k					
R6	390R	330R	n/a	n/a					
Semiconductors					Others				
	LPB1	Speaker Cranker	Black Eye	SH0		LPB1	Speaker Cranker	Black Eye	SH0
D1	1N5817	1N5817	1N5817	1N5817	Gain	Link 3-1	B5k	n/a	C5k
D2	n/a	n/a	1N4001	9.1 Zener	Level	A100k	Link 2-3	A100k	Link 2-3
D3	n/a	1N60P/BAT41	n/a	n/a	Tr1	n/a	n/a	5k	n/a
D4	n/a	1N60P/BAT41	n/a	n/a					
D5	n/a	1N60P/BAT41	n/a	100k resistor					
Q1	2N5088	2N3904	BS170	BS170					

LAYOUT

Print out the PCB design without any resizing options and make sure you switch off the fit to page option. The design is free for personal/home use and you also may build one or two for your friends, but the PCB layout is my artwork, therefore protected by copyright and is not permitted to be used for commercial purposes. The layout can be used in the smallest 1590A enclosure too.



NOTES



The pots are off board mounted via wires. For the numbering of the lugs see the picture.
You can experiment with almost all components, even modify it to an Electra Distortion.

DRILLING TEMPLATES

For this one I don't provide any drilling templates, as you might want to use it either in a two-pot or in a one-pot configuration. You can look up drilling templates from other build docus for both of these for various box sizes.