

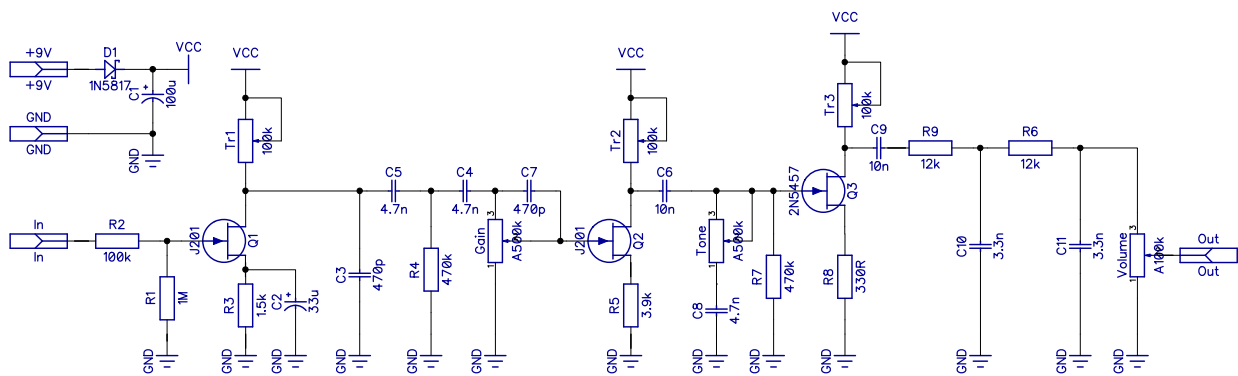


Lightningbolt

Based on ROG Supreaux
PCB artwork ©2016 drdFX
Release date: 2016.01.12.

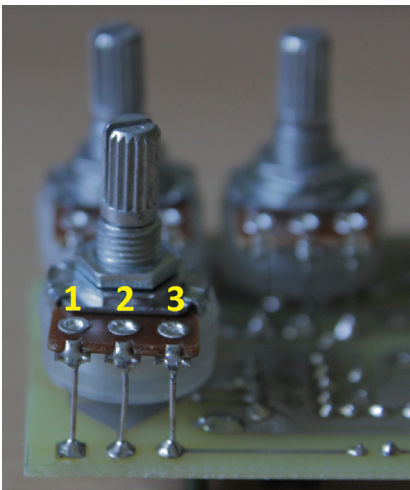
The Lightningbolt is actually ROG's Supreaux design. It is simulating a Supro amp's tone.

SCHEMATIC



BOM							
Resistors		Capacitors		Semiconductors		Others	
R1	1M	C1	100u	D1	1N5817	Gain	A500k
R2	100k	C2	33u	Q1	J201	Volume	A100k
R3	1.5k	C3	470p	Q2	J201	Tone	A500k
R4	470k	C4	4.7n	Q3	2N5457	Tr1	100k
R5	3.9k	C5	4.7n			Tr2	100k
R6	12k	C6	10n			Tr3	100k
R7	470k	C7	470p				
R8	330R	C8	4.7n				
R9	12k	C9	10n				
		C10	3.3n				
		C11	3.3n				

NOTES



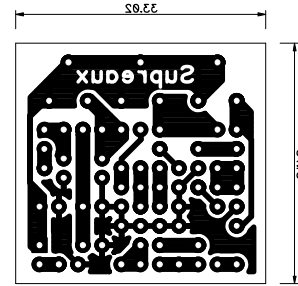
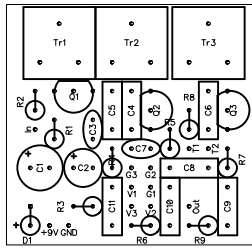
The pots are board mounted to the bottom of the board. The square pads mark the lug 1, for the numbering of the lugs see the picture.

Since the part number is quite low it is possible to build the effect into a 1590A box too. That version however has simple pads for connecting the pots with wires. The numbering is the same as on the picture.

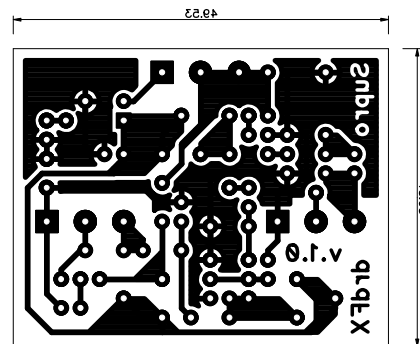
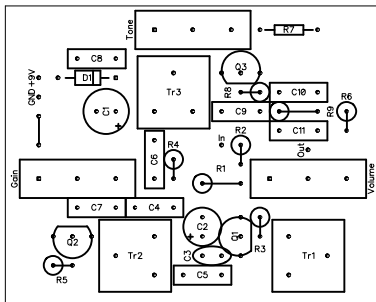
LAYOUT

Print out the PCB design without any resizing options and make sure you switch off the “fit to page” option. The design is free for personal/home use and you also may build one or two for your friends, but the PCB layout is my artwork, therefore protected by copyright and is not permitted to be used for commercial purposes.

1590A

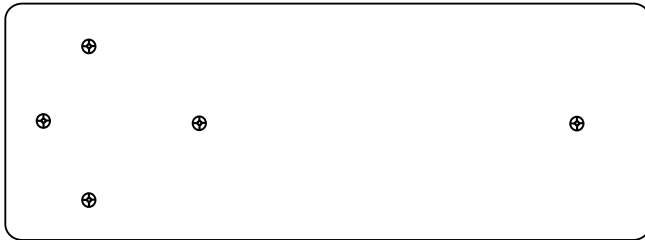


1590B

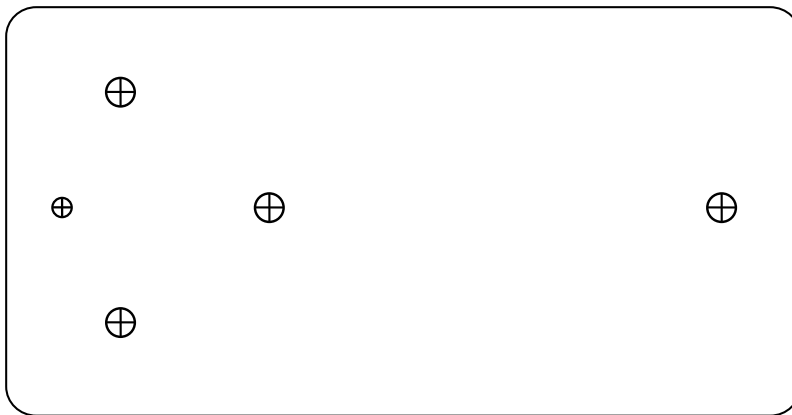


DRILLING TEMPLATES

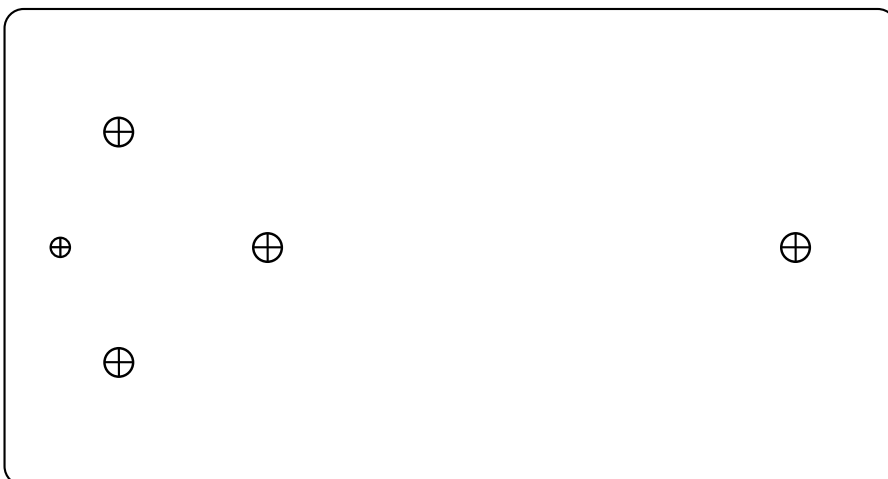
Here are three templates for the top of the box for the various box sizes. The design fits in both 1590A, 1590B and 125B, however if you are less experienced you may find the 125B enclosure easier to work with.



1590A



1590B



125B