

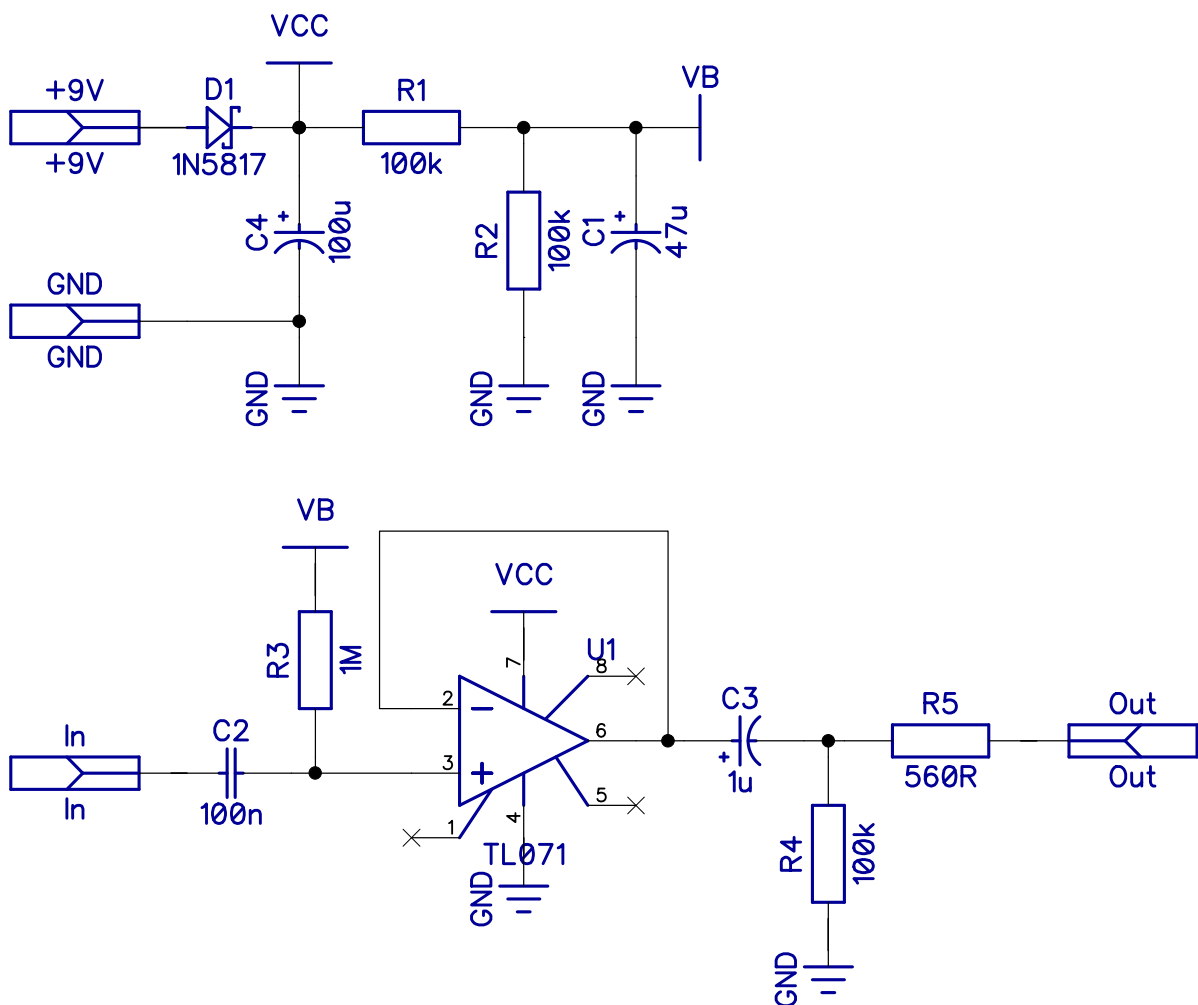


Klon Buffer

PCB artwork ©2016 drdFX
Release date: 2016.01.28.

A very useful buffer implementation. Not as neutral, as the Cornish one, but some people prefer its sound.

SCHEMATIC

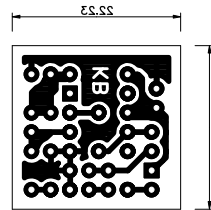
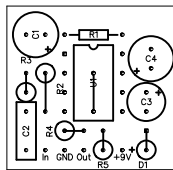


NOTES

It is quite a simple one, there are no pots, no controls at all, only power, input and output. You can add this as a daughterboard in any of your pedals as it is small enough to fit into other pedals, or build it into a separate enclosure.

LAYOUT

Print out the PCB design without any resizing options and make sure you switch off the "fit to page" option. The design is free for personal/home use and you also may build one or two for your friends, but the PCB layout is my artwork, therefore protected by copyright and is not permitted to be used for commercial purposes.



BOM					
Resistors		Capacitors		Semiconductors	
R1	100k	C1	47u	D1	1N5817
R2	100k	C2	100n	U1	TL071
R3	1M	C3	1u		
R4	100k	C4	100u		
R5	560R				