



# Fattie

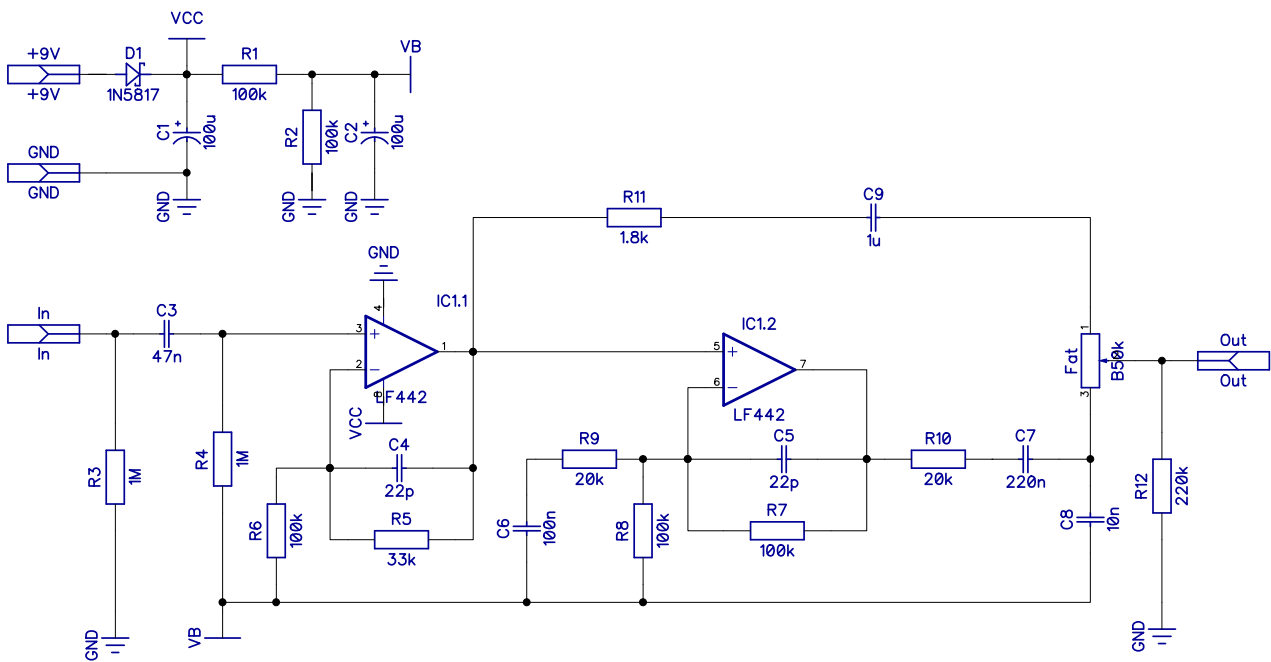
Based on the Demeter Fat Control

PCB artwork ©2018 drdFX

Release date: 2018. 10. 15.

Fattie is a clone of the Demeter Fat Control. It is a nice booster that boosts the mids and upper mids to make your guitar pop out of the mix.

## SCHEMATIC



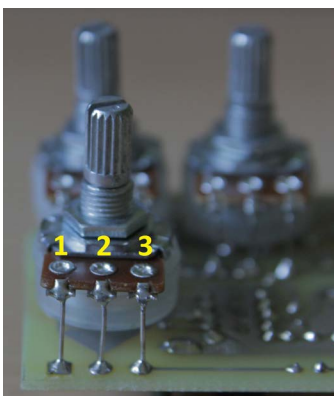
BOM							
Resistors		Capacitors		Semiconductors		Others	
R1	100k	C1	100u	D1	1N5817	Fat	B50k
R2	100k	C2	100u	IC1	LF442		
R3	1M	C3	47n				
R4	1M	C4	22p				
R5	33k	C5	22p				
R6	100k	C6	100n				
R7	100k	C7	220n				
R8	100k	C8	10n				
R9	20k	C9	1u				
R10	20k						
R11	1.8k						
R12	220k						

## LAYOUT

Print out the PCB design without any resizing options and make sure you switch off the “fit to page” option. The design is free for personal/home use and you also may build one or two for your friends, but the PCB layout is my artwork, therefore protected by copyright and is not permitted to be used for commercial purposes.



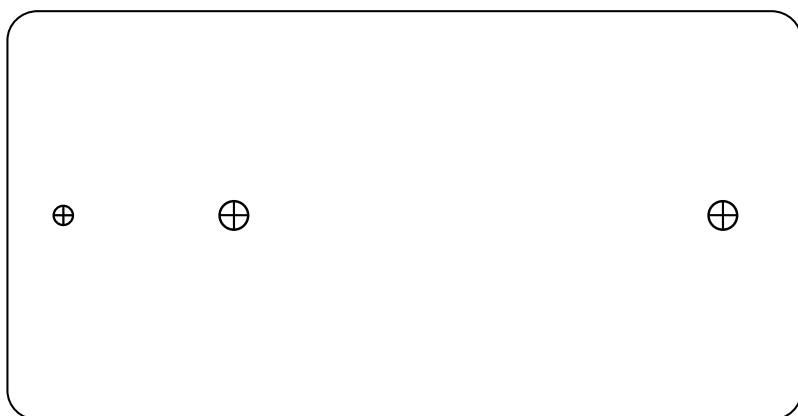
## NOTES



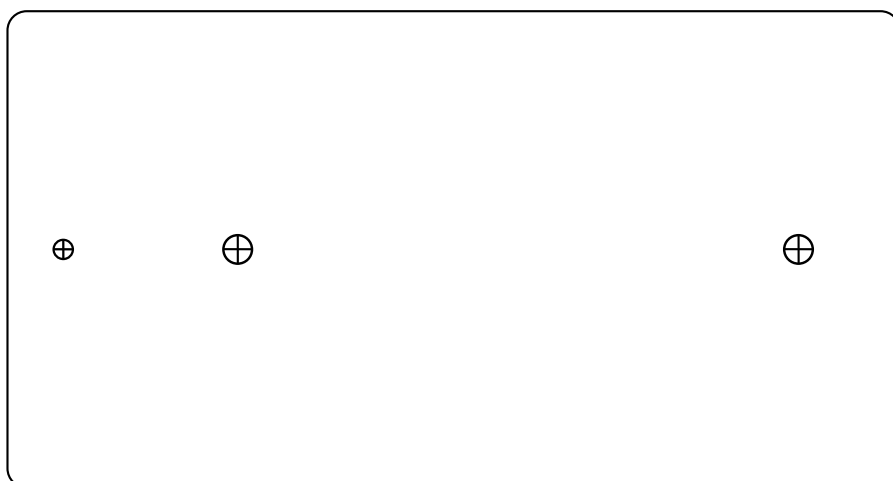
The pots are board mounted to the bottom of the board. The square pads mark the lug 1, for the numbering of the lugs see the picture. Since the part number is quite low it is possible to build the effect into a 1590A box too.



1590A



1590B



1590B