

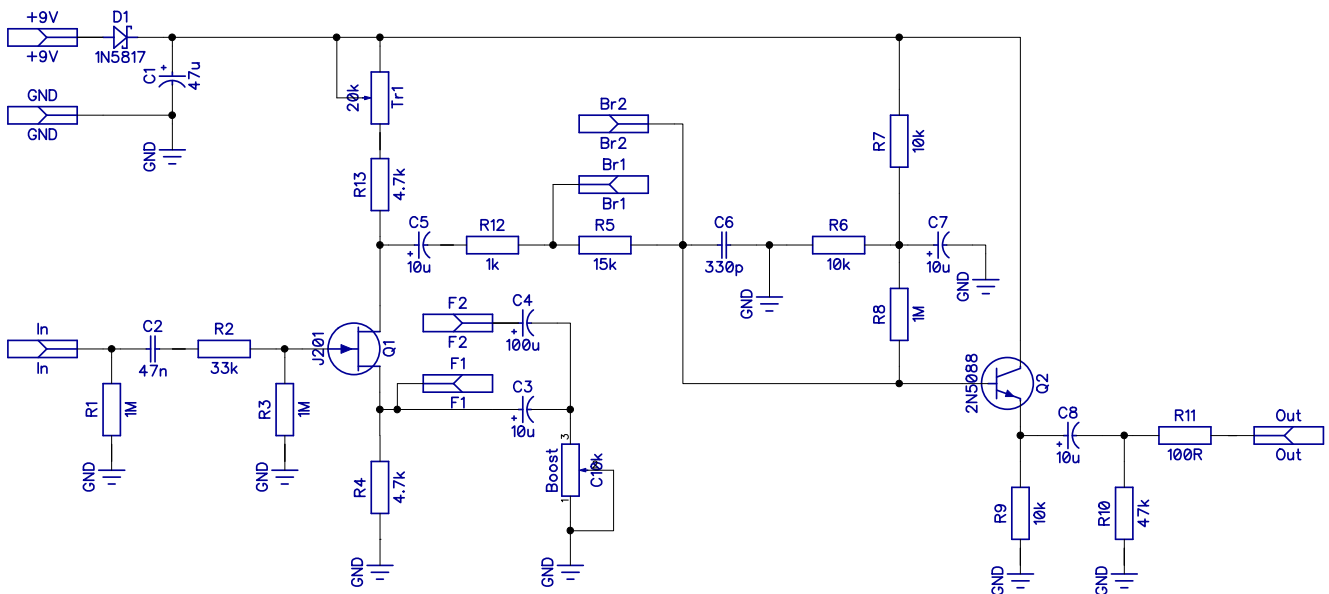


# Epic Booster

Based on Xotic EP Booster  
PCB artwork ©2016 drdFX  
Release date: 2016. 12. 29.

The Epic Booster is a booster based on the Xotic EP Booster. Instead of the DIP switches in the original it uses simple jumpers to save space on the PCB. Also the drain resistor is not fixed, but contains a trimmer with which the boost range can be adjusted. The original has quite some boost when the pot is turned all the way down, this way it can be adjusted to about unity. Or to very high boost levels as well if you prefer that. With this trimmer other JFETs than J201 can be used as well.

## SCHEMATIC



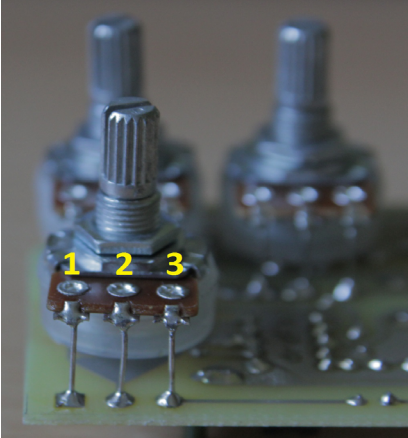
BOM							
Resistors		Capacitors		Semiconductors		Others	
R1	1M	C1	47u	D1	1N5817	Boost	C10k
R2	33k	C2	47n	Q1	J201	Tr1	20k
R3	1M	C3	10u	Q2	2N5088	Bright	SPST/jumper
R4	4.7k	C4	100u			Fat	SPST/jumper
R5	15k	C5	10u				
R6	10k	C6	330p				
R7	10k	C7	10u				
R8	1M	C8	10u				
R9	10k						
R10	47k						
R11	100R						
R12	1k						
R13	4.7k						

## LAYOUT

Print out the PCB design without any resizing options and make sure you switch off the “fit to page” option. The design is free for personal/home use and you also may build one or two for your friends, but the PCB layout is my artwork, therefore protected by copyright and is not permitted to be used for commercial purposes.



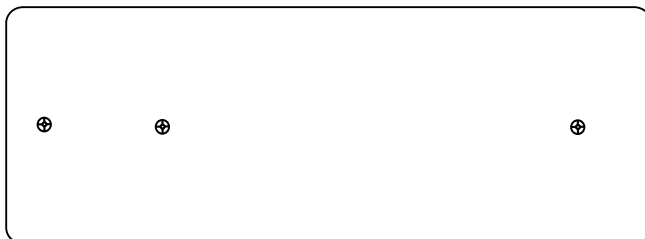
## NOTES



The pot is board mounted to the bottom of the board. The square pad marks the lug 1, for the numbering of the lugs see the picture. Since the part number is quite low it is possible to build the effect into a 1590A box too.

## DRILLING TEMPLATES

Here is a drilling template for the smallest possible box for this project, the 1590A.



1590A