

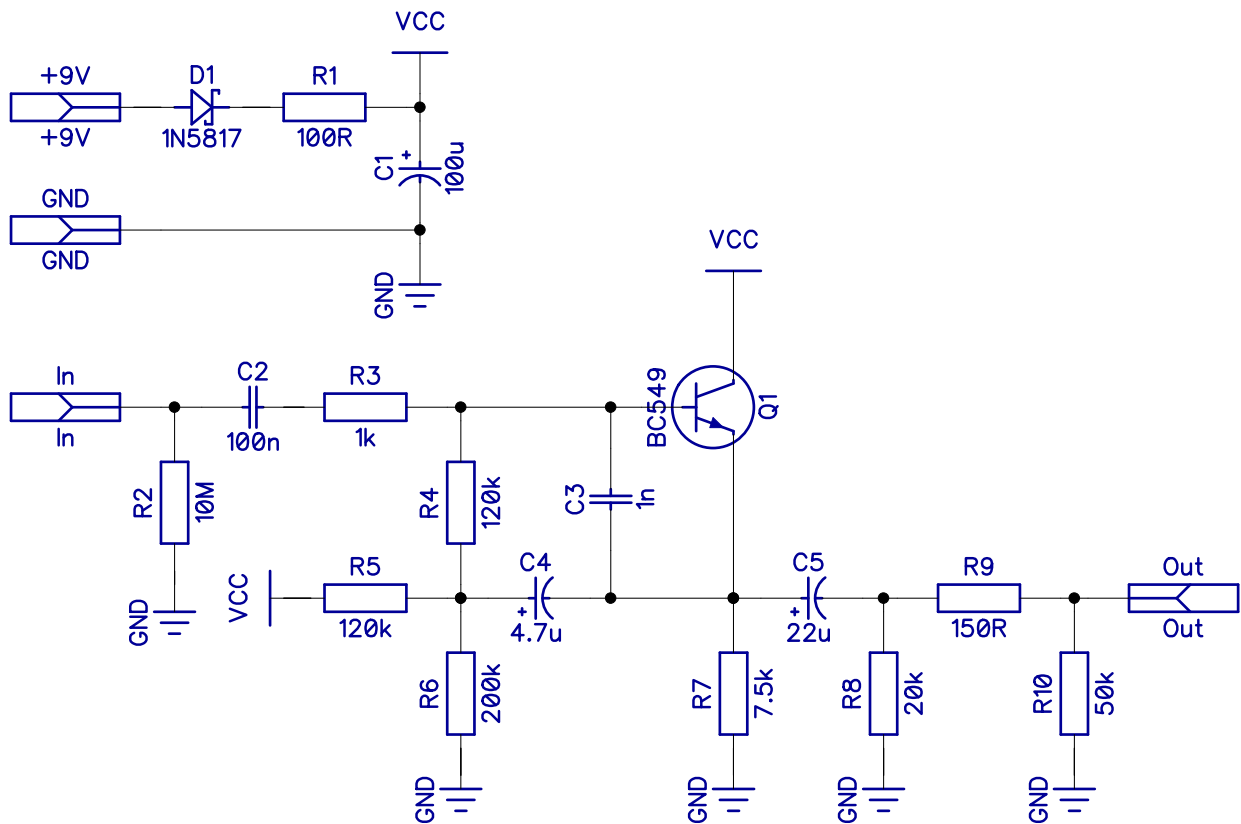


Cornish Buffer

PCB artwork ©2016 drdFX
Release date: 2016.01.28.

A very useful buffer implementation, quite neutral too.

SCHEMATIC

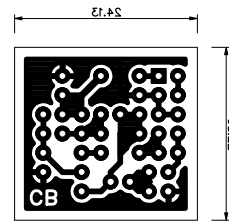
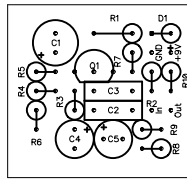


NOTES

It is quite a simple one, there are no pots, no controls at all, only power, input and output. You can add this as a daughterboard in any of your pedals as it is small enough to fit into other pedals, or build it into a separate enclosure.

LAYOUT

Print out the PCB design without any resizing options and make sure you switch off the "fit to page" option. The design is free for personal/home use and you also may build one or two for your friends, but the PCB layout is my artwork, therefore protected by copyright and is not permitted to be used for commercial purposes.



BOM

Resistors		Capacitors		Semiconductors	
R1	100R	C1	100u	D1	1N5817
R2	10M	C2	100n	Q1	BC549
R3	1k	C3	1n		
R4	120k	C4	4.7u		
R5	120k	C5	22u		
R6	200k				
R7	7.5k				
R8	20k				
R9	150R				
R10	50k				