



# Cashmere

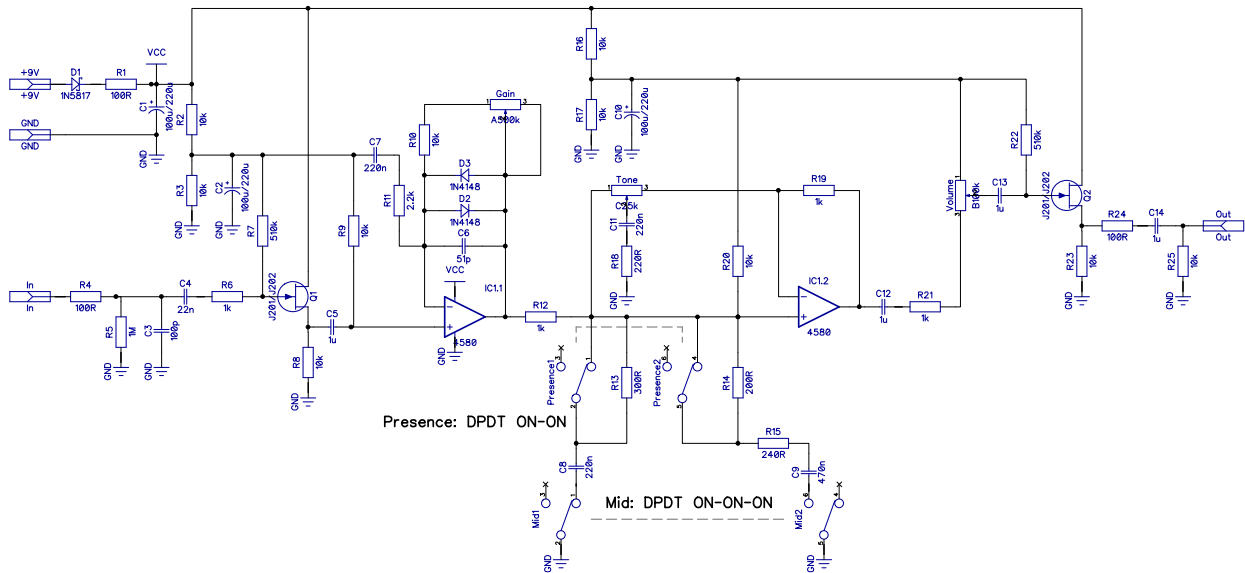
Based on the Wampler Paisley Drive

PCB artwork ©2017 drdFX

Release date: 2017. 09. 16.

**Cashmere is a clone of the Wampler Plexi Drive. It is a bit fuzzy sounding overdrive, with lots of options and sounds.**

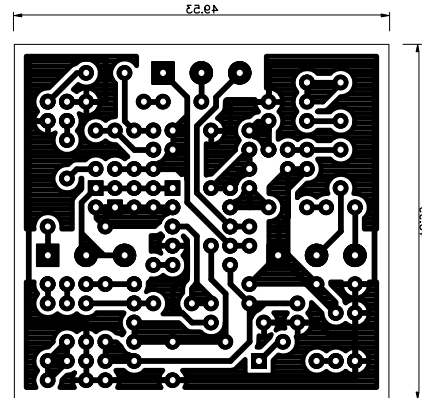
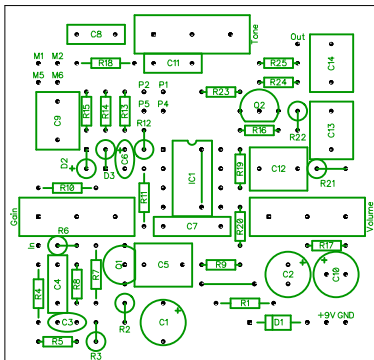
## SCHEMATIC



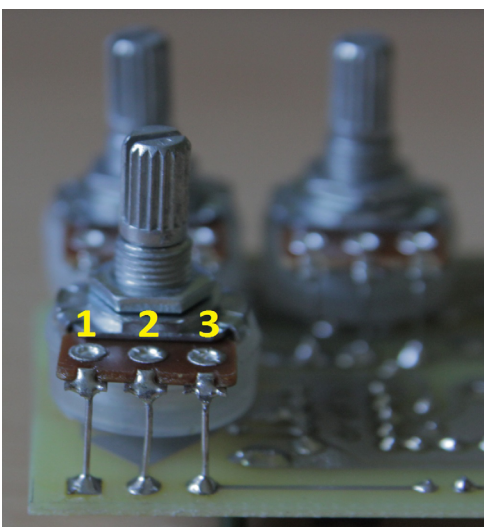
BOM							
Resistors		Capacitors		Semiconductors		Others	
R1	100R	C1	100u/220u	D1	1N5817	Gain	A500k
R2	10k	C2	100u/220u	D2	1N4148	Tone	C25k
R3	10k	C3	100p	D3	1N4148	Volume	B100k
R4	100R	C4	22n	Q1	J201/J202	Presence	DPDT ON-ON
R5	1M	C5	1u	Q2	J201/J202	Mid	DPDT ON-ON-ON
R6	1k	C6	51p	IC1	4580		
R7	510k	C7	220n				
R8	10k	C8	220n				
R9	10k	C9	470n				
R10	10k	C10	100u/220u				
R11	2.2k	C11	220n				
R12	1k	C12	1u				
R13	300R	C13	1u				
R14	200R	C14	1u				
R15	240R						
R16	10k						
R17	10k						
R18	220R						
R19	1k						
R20	10k						
R21	1k						
R22	510k						
R23	10k						
R24	100R						
R25	10k						

## LAYOUT

Print out the PCB design without any resizing options and make sure you switch off the “fit to page” option. The design is free for personal/home use and you also may build one or two for your friends, but the PCB layout is my artwork, therefore protected by copyright and is not permitted to be used for commercial purposes.



## NOTES

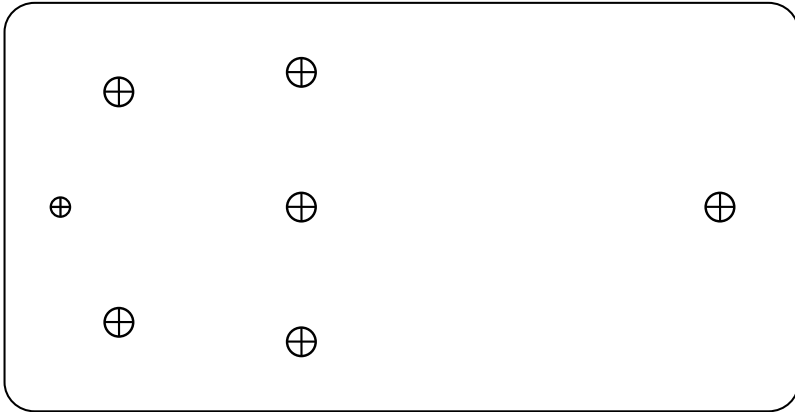


The pots are board mounted to the bottom of the board. The square pads mark the lug 1, for the numbering of the lugs see the picture. The two switches connect with wires to their pads. The numbering of the lugs is as follows:

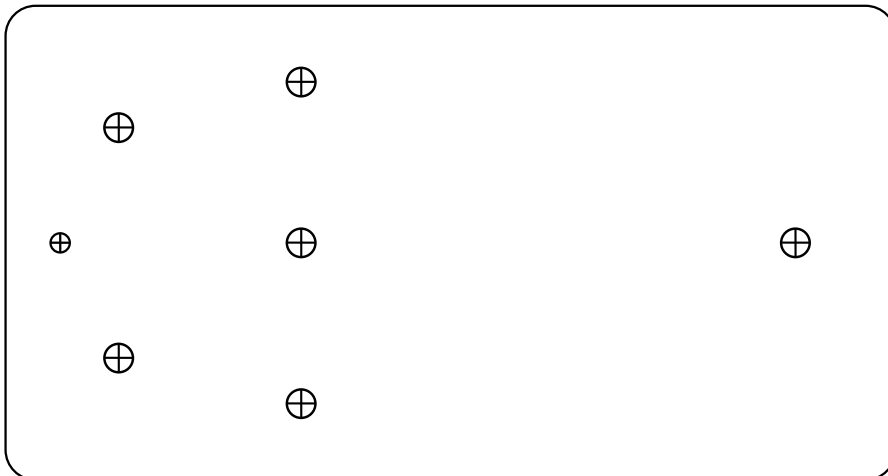
1	4
2	5
3	6

## DRILLING TEMPLATES

Here are two templates for the top of the box for the various box sizes. The design fits in both 1590B and 125B, however if you are less experienced you may find the 125B enclosure easier to work with.



1590B



125B